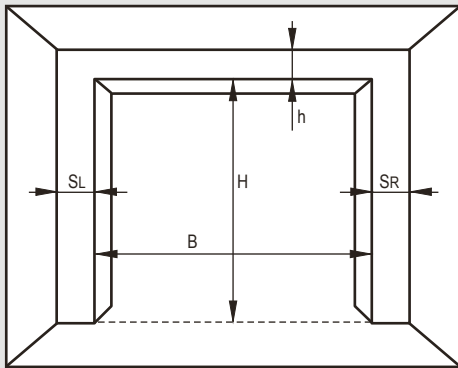
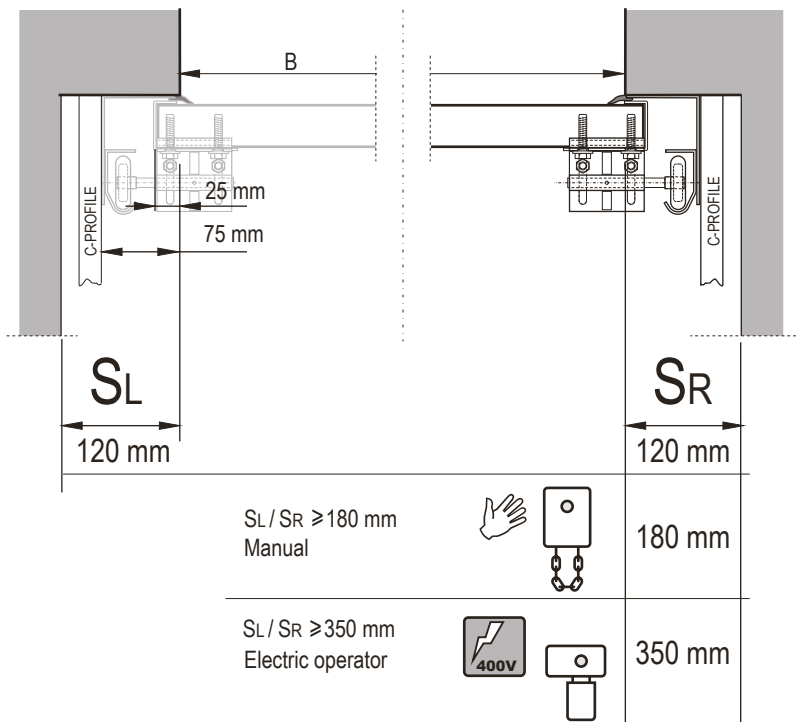
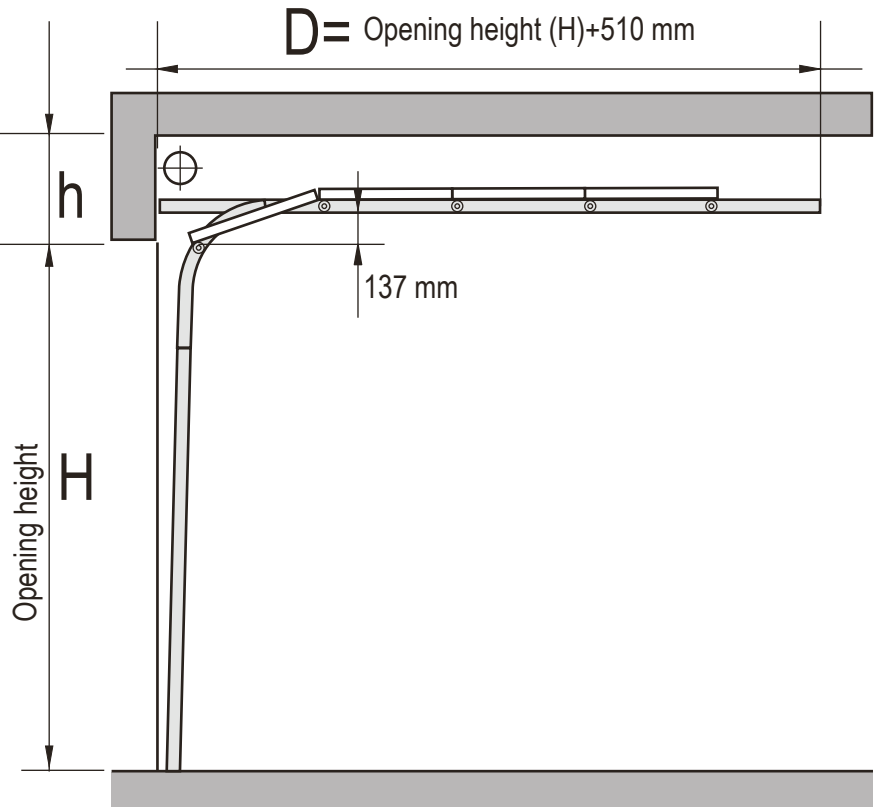


TRACK TYPES

$h \geq 350$ mm (opening height up to 3960 mm)
 ≥ 360 mm (opening height up to 5900 mm)



STANDARD LIFT TRACKS
STD



Chain hoist or operator may be also installed on the left side (SL)

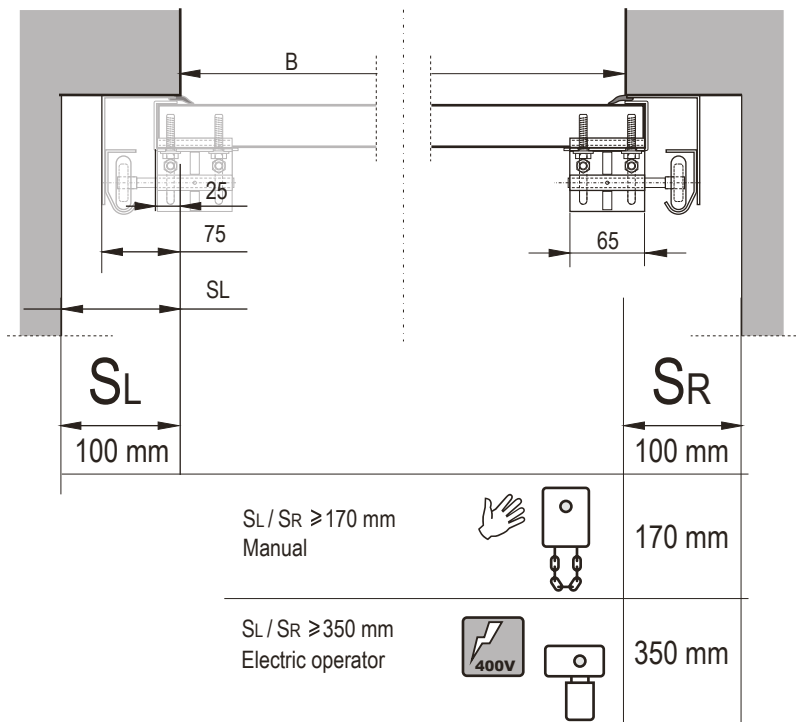
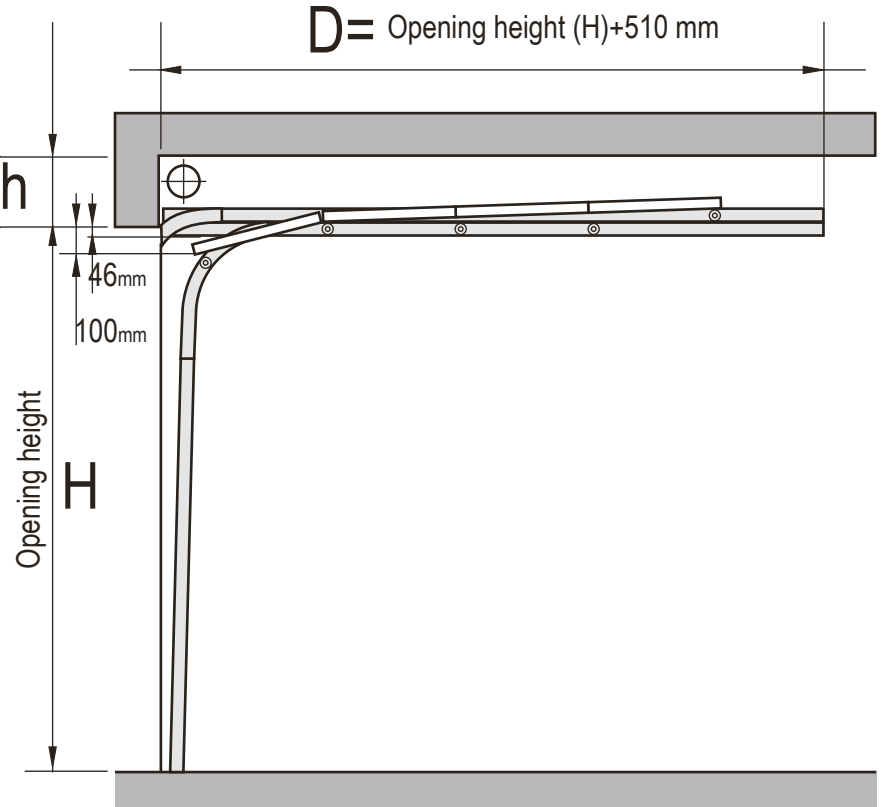
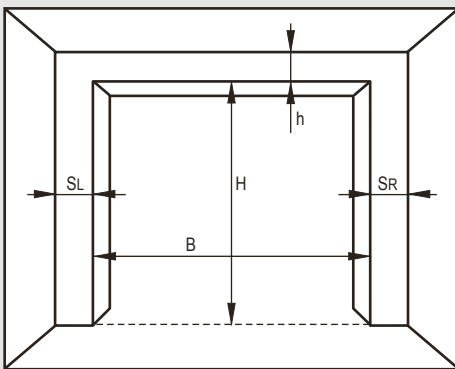
LOW HEADROOM TRACKS

LHR-FM

double tracks, front mounted springs

TRACK TYPES

$h \geq 220$ mm (opening height up to 3950 mm)
 $h \geq 250$ mm (opening height up to 5900 mm)



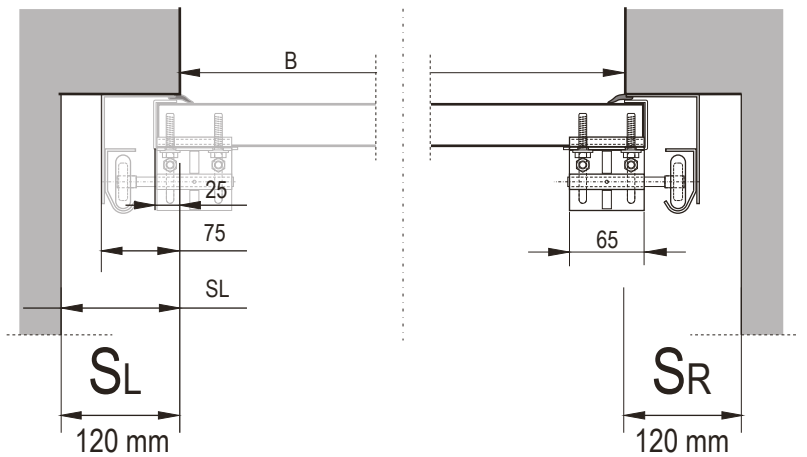
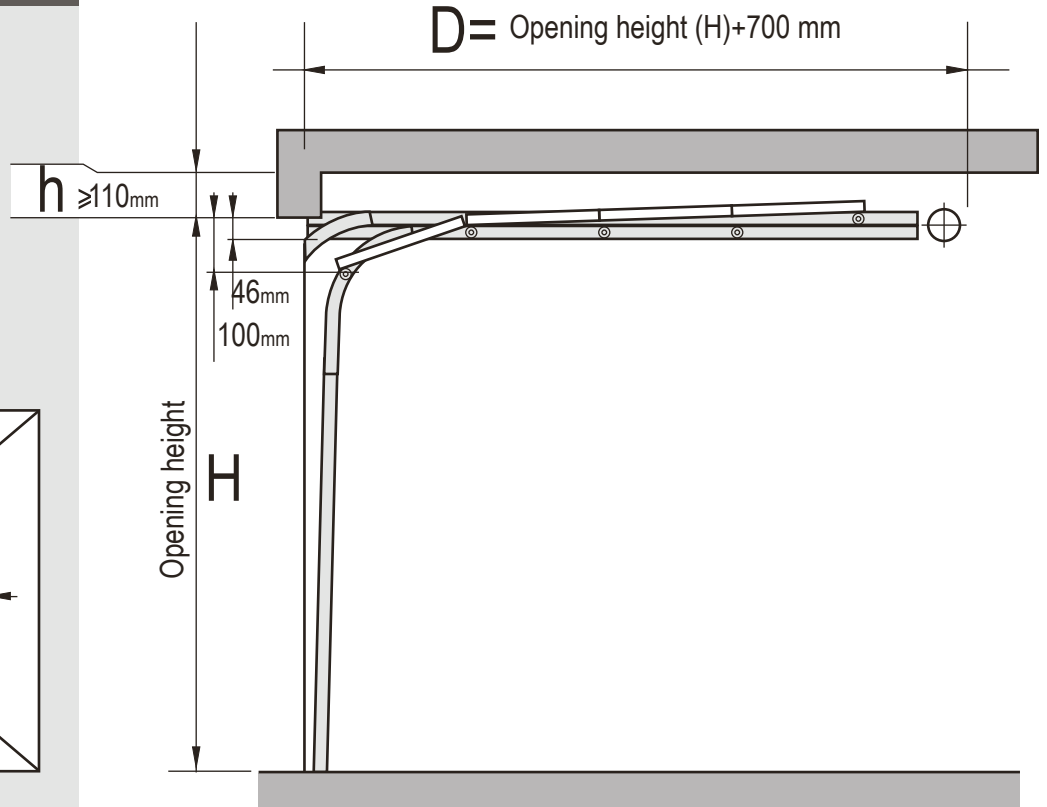
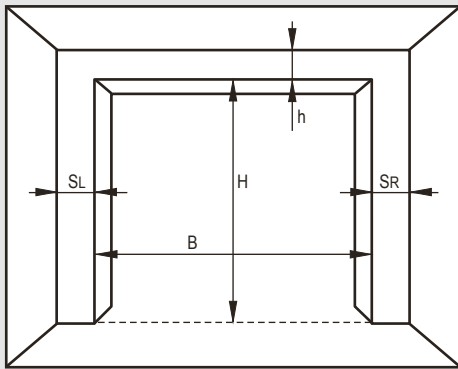
Chain hoist or operator may be also installed on the left side (SL)

LOW HEADROOM TRACKS

LHR-RM

double tracks, rear mounted springs

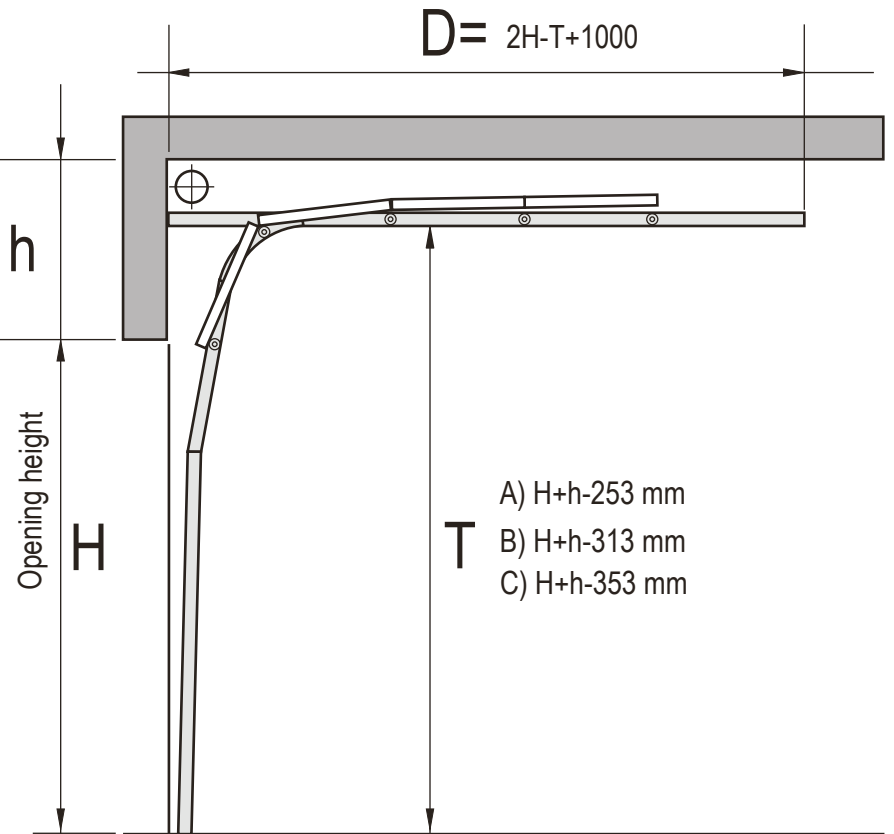
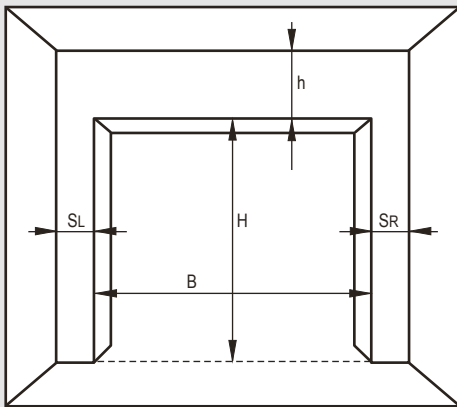
TRACK TYPES



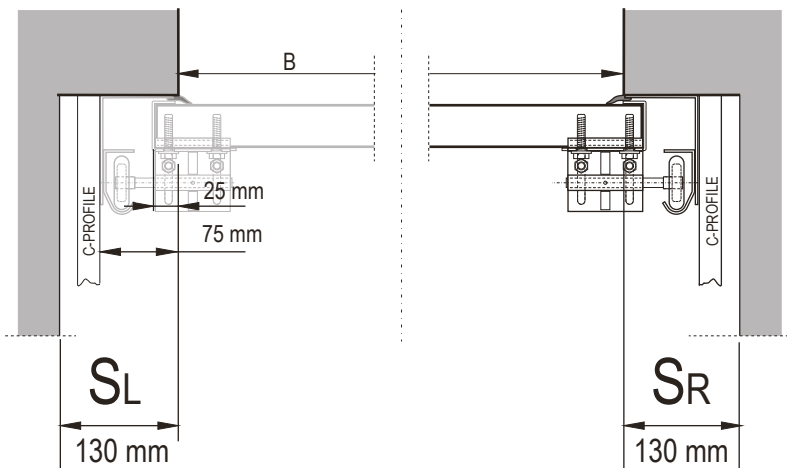
TRACK TYPES

HIGH LIFT TRACKS
HL

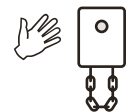
-) $h \leq 1600$ mm
-) B 1610 - 3350 mm
- C) 3360 - 4450 mm



- A) $H + h - 253$ mm
- B) $H + h - 313$ mm
- C) $H + h - 353$ mm



SL / SR ≥ 200 mm
Manual



200 mm

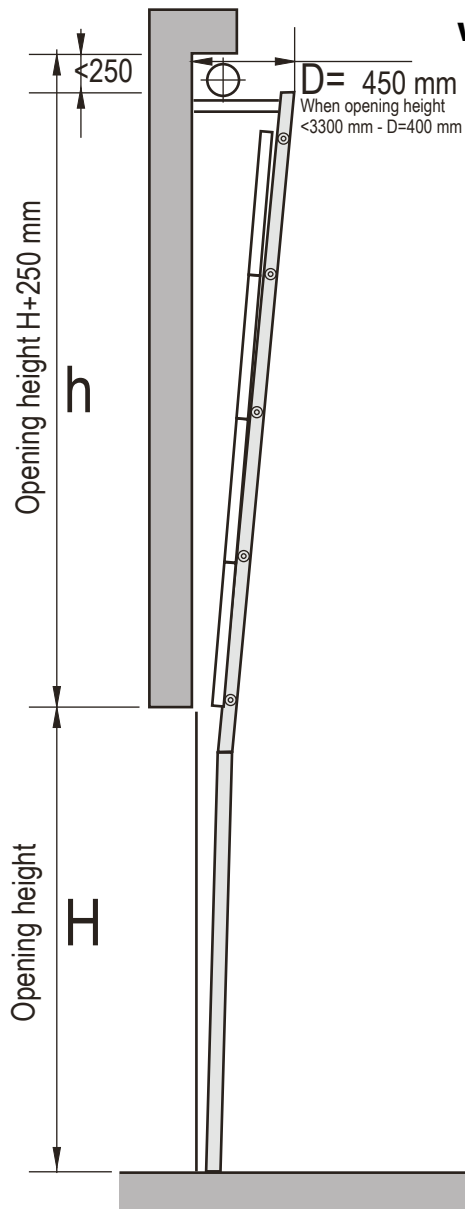
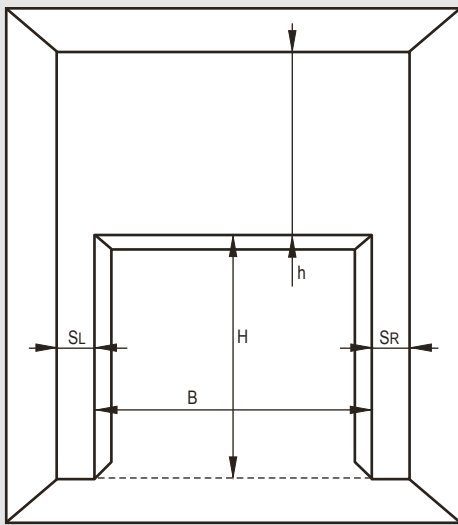
SL / SR ≥ 350 mm
Electric operator



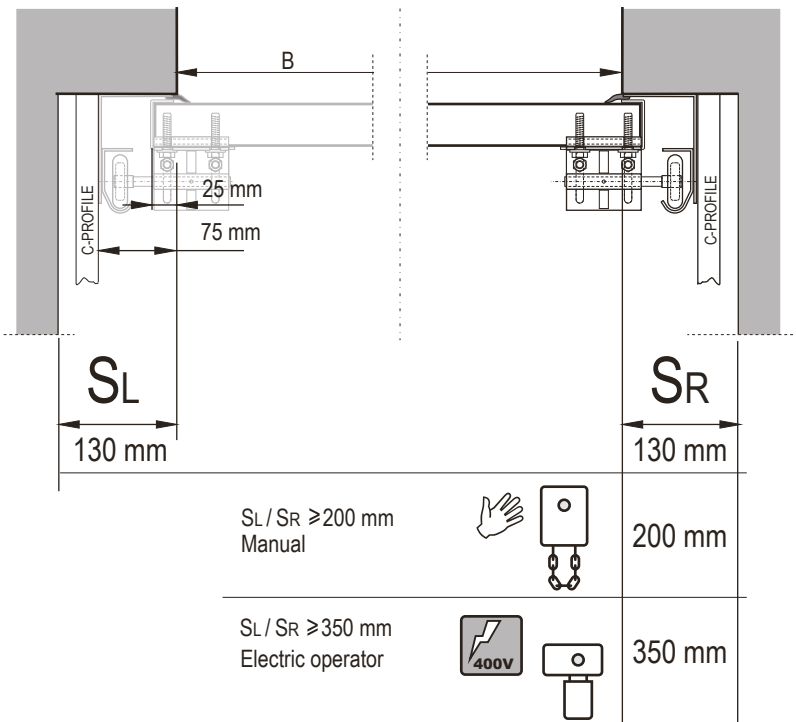
350 mm

Chain hoist or operator may be also installed on the left side (SL)

TRACK TYPES

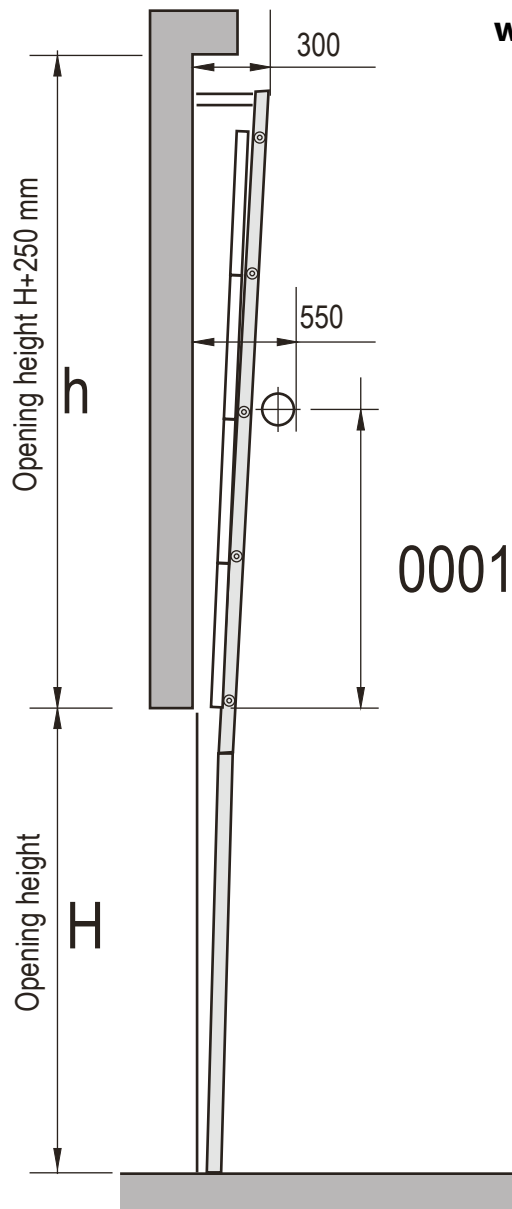
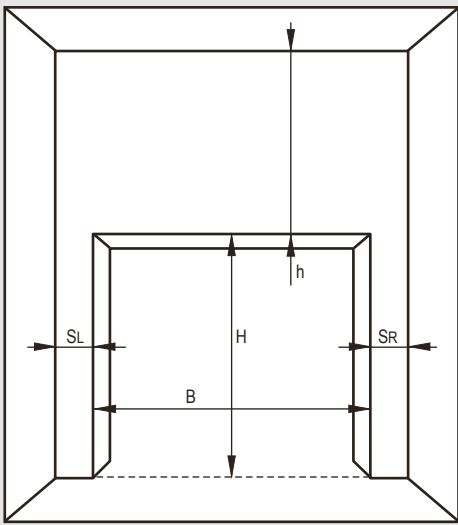


**VERTICAL
LIFT TRACKS
VL-TM**
top mounted springs

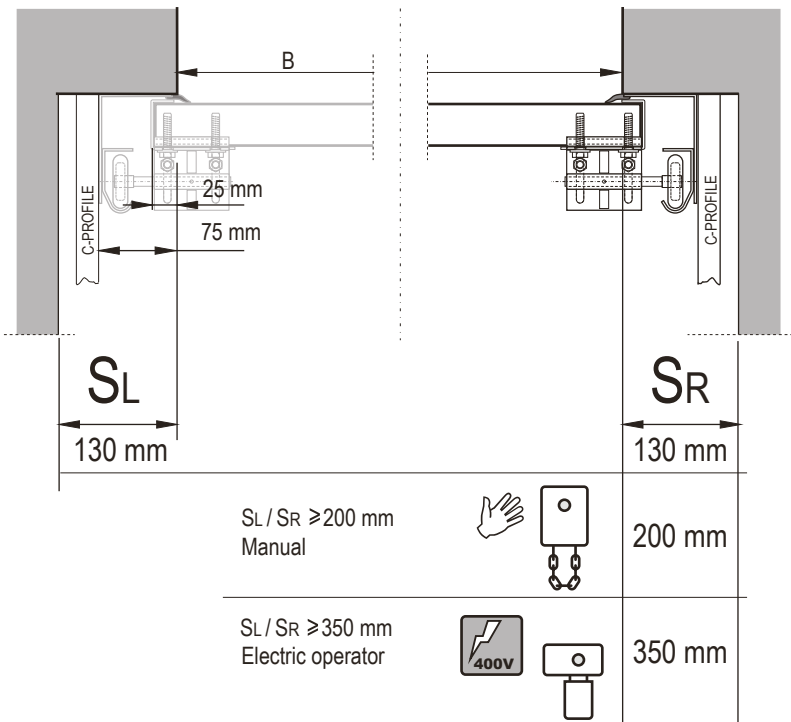


Chain hoist or operator may be also installed on the left side (SL)

TRACK TYPES



VERTICAL
LIFT TRACKS
VL-MM
middle mounted springs



Chain hoist or operator may be also installed on the left side (SL)